

Rendezvous with Rama

ARTHER C. CLARKE

A Before Reading

- 1 Read the note about the story on the back cover of the book. It ends with two questions. What else do you want to know? Ask three more questions about Rama.
- 2 A space probe has taken photos of Rama. What will the scientists on Earth do now? Make some guesses.

B While Reading

- 3 While you are reading the book, label the diagrams of Rama with the following objects and places as you discover them:

DIAGRAM A: RAMA SECTION THROUGH LONG AXIS

END OF THE ALPHA STAIRWAY
 THE SOUTHERN HEMISPHERE
 NEW YORK
 THE AIRLOCKS
 THE CLIFFS ON THE NORTH / SOUTH SIDES OF THE CYLINDRICAL SEA

HUB CONTROL
 THE CENTRAL PLAIN
 THE BUTTRESSES
 PARIS

THE NORTHERN HEMISPHERE
 THE CYLINDRICAL SEA
 STRAIGHT VALLEY
 THE CENTRAL SPIKE

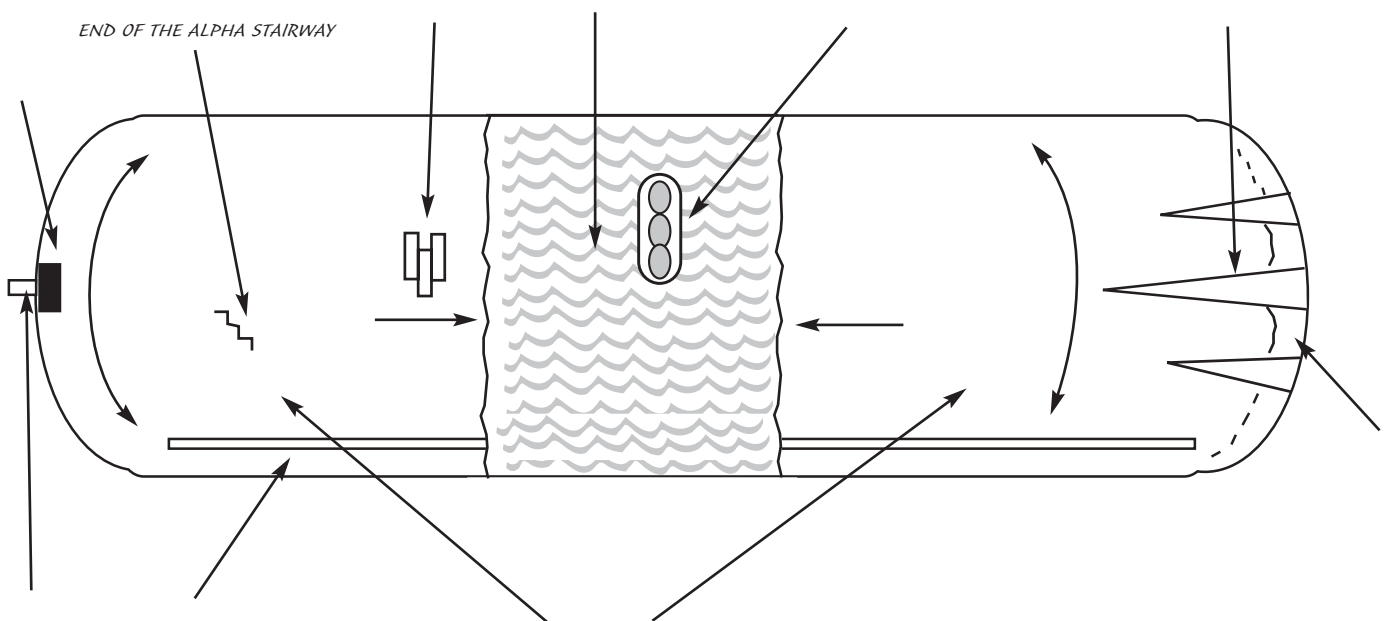
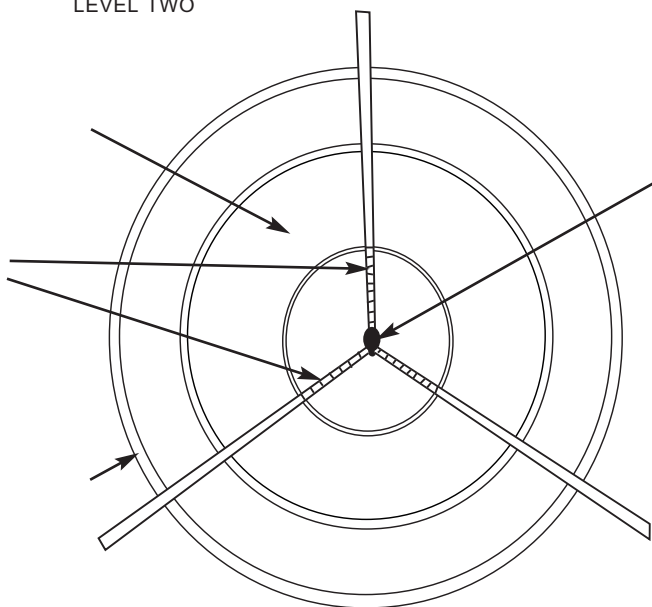


DIAGRAM B: CENTRE OF RAMA'S NORTH END

THE HUB
THE INNER TERRACE

THE LADDERS
LEVEL TWO



C After Reading

- 4 Look at pages 28–30 and read Commander Norton’s audio report for the Committee. Choose one of the following sections of the story and write another audio report.
- a Lieutenant James Pak’s report on his journey to the South Pole. (page 68)
 - b Commander Norton’s report about the expedition’s visit to New York. (page 58)
 - c Commander Norton’s report about entering one of the buildings in London. (page 92)

Make a recording of your report to the Committee and ‘send’ it to your teacher or a friend who is reading the book.

- 5 Write Commander Norton’s final report from the *Endeavour*.

From: Commander W.T. Norton
To: Rama Committee, Luna

- 6 In the book, the Ramans never appear. Make a drawing of a Raman. Label your diagram to show which features are from your imagination and which features arise from reading the book.
- 7 Norton thought then that the best part of his life was over. He believed that nothing like Rama would ever be seen again.
 But the Commander had forgotten one thing –
 The Ramans always make things in threes! (page 100)

What could happen now? Write a list of ideas.